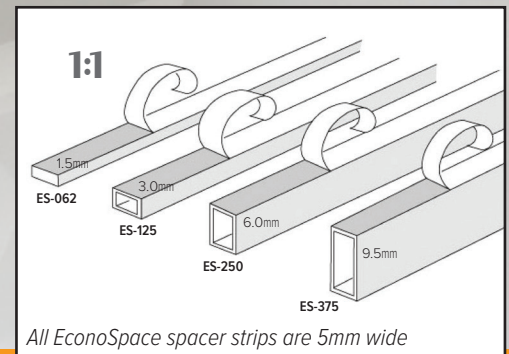
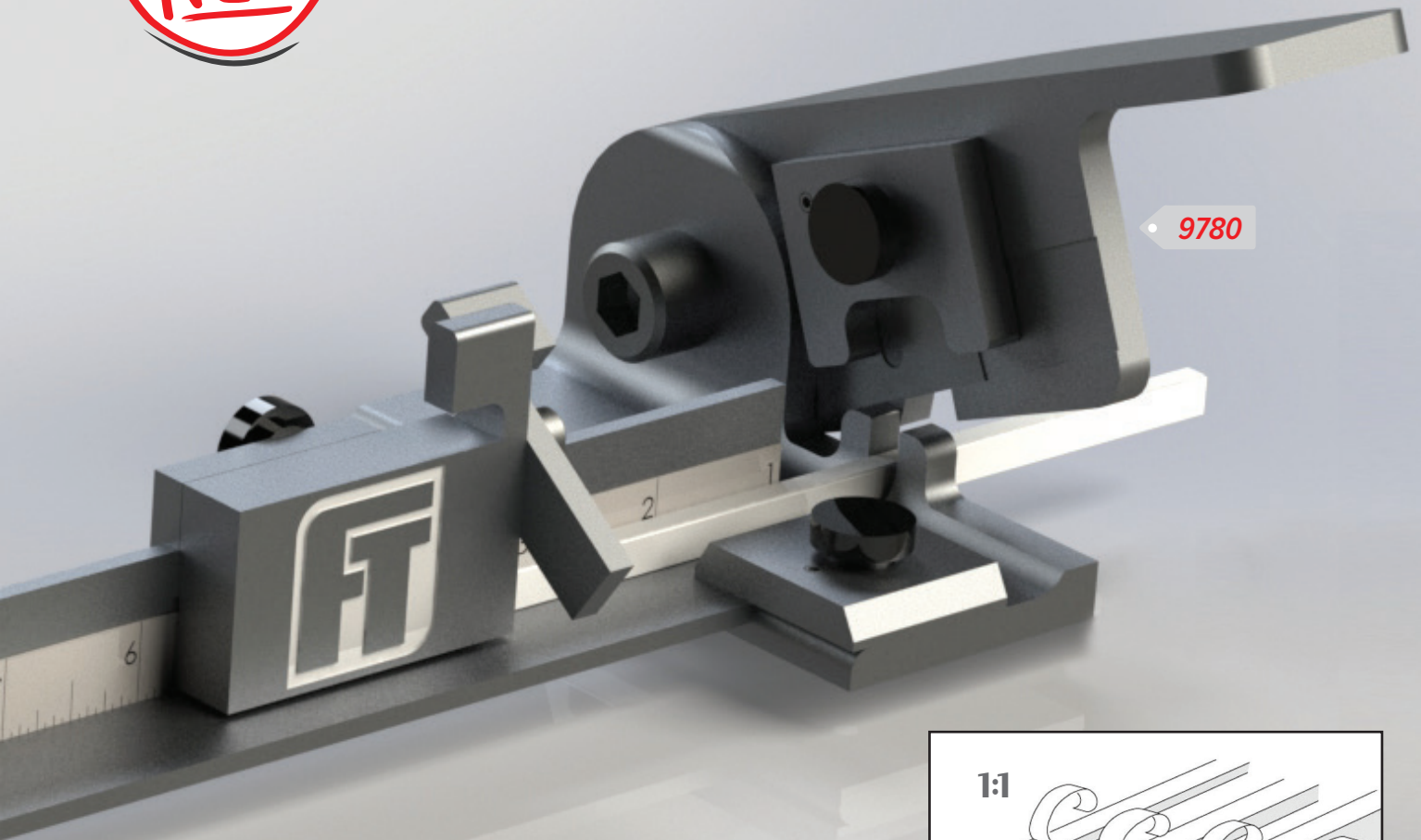


EconoChopper

PUB106 V.1
12/2017

 By FrameTek, llc

NEW



- Makes chopping Econospace fast, accurate and reliable
- Simple, easy to read 1520mm / 60" ruler with adjustable stop
- Uses Lion 6065 blades, 39 x 18mm
- Designed for professional framers
- **MADE IN THE USA**

www.FRAMETEK.com

LION Picture Framing Supplies Ltd

148 Garrison Street, Birmingham B9 4BN
Tel: 0121 773 1230 info@lionpic.co.uk

lionpic.co.uk

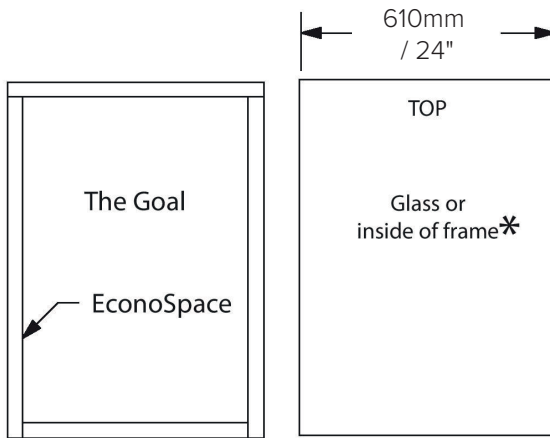
All prices quoted are correct as at Decmeber 2017. Please check before ordering.



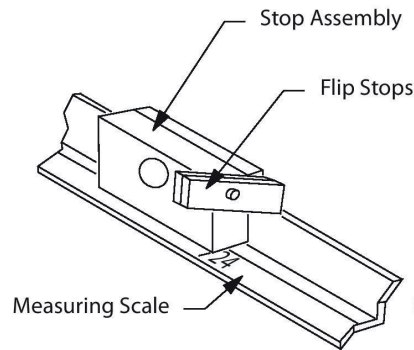
EconoChopper®

9780

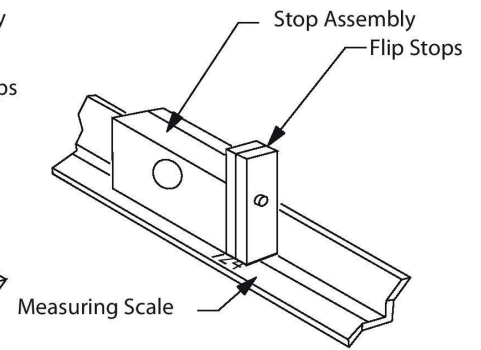
By FrameTek, llc



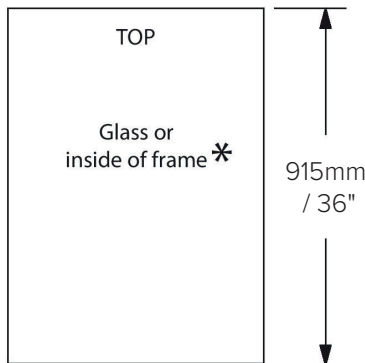
Measure top of glass or inside of frame. *



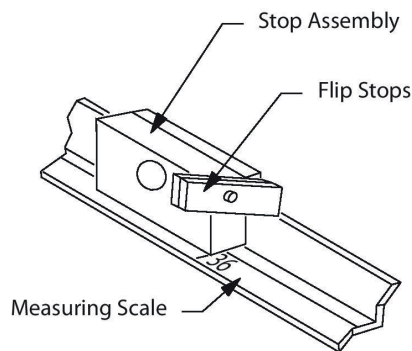
Set stop assembly at 24" with both flipstops in the up position. Cut your first piece for the top of the frame.



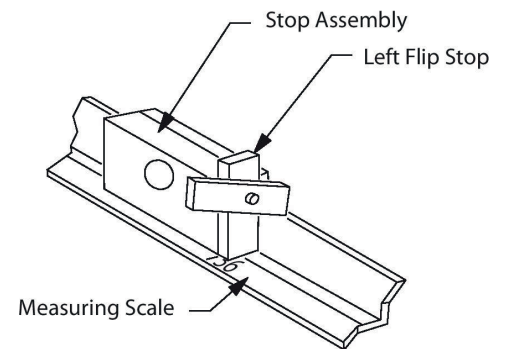
Flip both stops down and cut the next piece for the bottom of the frame.



Measure height of glass or inside of frame. *



Set stop assembly at 36" with both flipstops in the up position.



Flip just the left flip stop down and cut the 2 vertical pieces.

* If your glass just fits inside the frame, cut the EconoSpace the same size as the glass and attach it flush with the edge of the glass.

If your frame is larger than the glass then cut the EconoSpace to just fit inside the frame and centre the glass in the frame with the EconoSpace.

www.FRAMETEK.com

LION Picture Framing Supplies Ltd

148 Garrison Street, Birmingham B9 4BN
Tel: 0121 773 1230 info@lionpic.co.uk

lionpic.co.uk

Any prices quoted are correct as at December 2017. Please check before ordering.

